

# ERTEC® Combo Guard™ — For drainage inlets with grate and curb openings

## Installation Guide

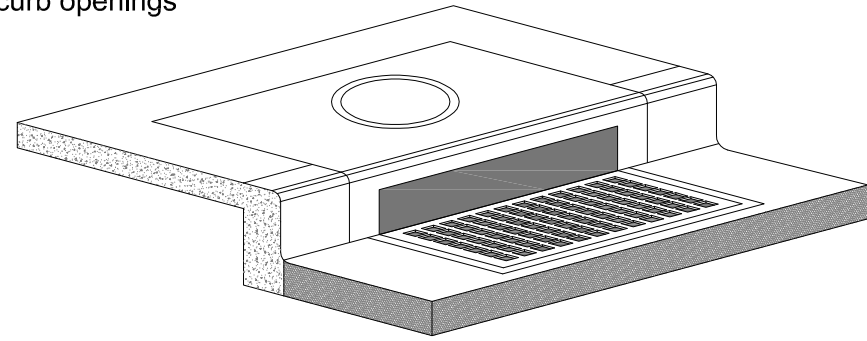
Grate Size	Combo Guard™ Size
24" x 20"	CG 28" x 22"
36" x 18"	CG 48" x 22"
36" x 20"	CG 48" x 22"
40" x 18"	CG 48" x 22"
40" x 24"	CG 48" x 27"
42" x 28"	CG 48" x 30"

### Construction Details

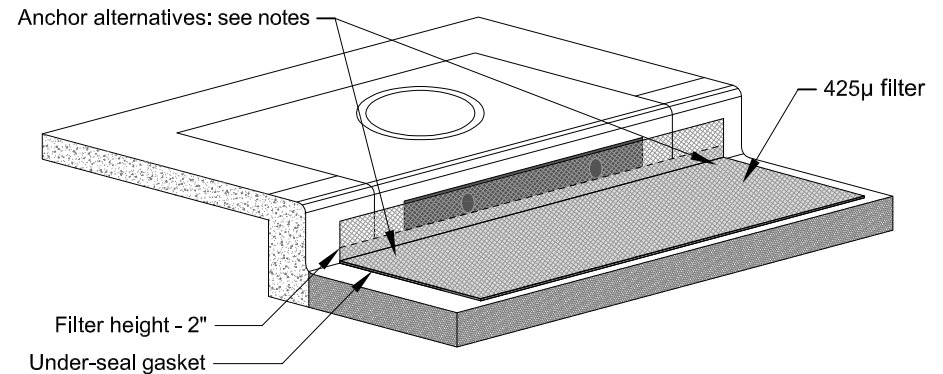
- \* Filter height = 2 inches
- \* UV resistant HDPE outer jacket
- \* Under-seal gasket to prevent underflow
- \* CG height = 6 inches (vertical component)

### Installation Notes

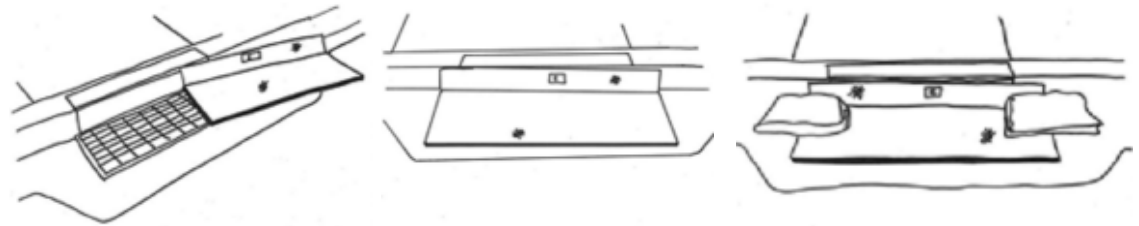
- 1. Placement:** Place CG tightly against curb opening and cover entire grate. CG should extend at least 2 inches past grate towards street.
- 2. Overlap for long openings:** Overlap CG units at longer openings.
- 3. Anchor:** Anchor CG so that water cannot flow behind it.
- 4. Alternate anchor methods:** **A)** Install gravel bags at each side of CG - half-on and half-off the edges. Use half-filled gravel bags (15 or 20 lbs). Round rock is recommended. or **B)** Attach with 16 gauge tie-wire. Cut wire to 18" length. At each corner of CG, feed one end of wire down through CG, around grate bar, and back up thru CG. Above ground, twist wires several times, cut-off excess. or **C)** Fasten with concrete anchors/nails at the outside edges of CG.



Unprotected drainage inlet



ERTEC® Combo Guard™  
Protected drainage inlet



**Maintenance:** Perform maintenance as required. Inspect following rainfall events and at least daily during prolonged rainfall. Maintain to provide an adequate sediment holding capacity. Debris shall be removed daily and sediment shall be removed when the sediment accumulation reaches 50% of the barrier height. Removed sediment shall be incorporated in the project at designated locations.

**Important:** All information, including illustrations, is believed to be reliable. Users, however, should independently evaluate the suitability of each project for their application. ERTEC Environmental Systems makes no warranties as to the accuracy of completeness of the information, and disclaims any liability regarding its use. ERTEC Environmental System's only obligations are those in the ERTEC Environmental Systems Standard Terms and Conditions of Sale for this product, and in no case will ERTEC Environmental Systems or its distributors be liable for any incidental indirect or consequential damages arising for the sale, resale, use or misuse of the product. Specifications are subject to change without notice. In addition, ERTEC Environmental Systems reserves the right to make changes, without notification to Buyer, to processing or materials that do not affect compliance with any applicable specification.



**ERTEC**  
ENVIRONMENTAL SYSTEMS

1150 Ballena Blvd, Suite 250  
Alameda, CA 94501  
P. 866-521-0724  
F. 510-521-3972  
<http://www.ertecsystems.com/>

U.S. and International Patents Apply  
© 2009-15 ERTEC Environmental Systems

File Name:  
ERTEC - Installation Guide - Combo Guard.dwg

Layout Name:  
P1 Details

Scale: NONE  
Default Print Size: 8.5" x 11"  
Page: 1 of 1